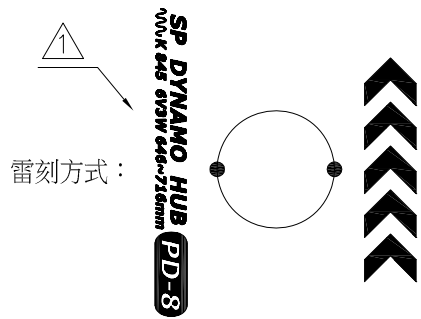
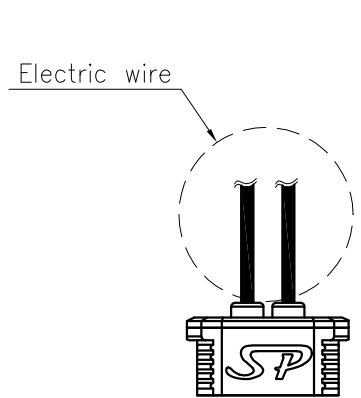
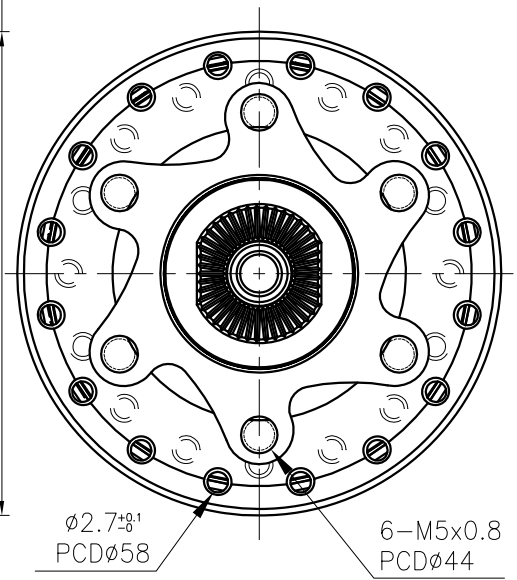
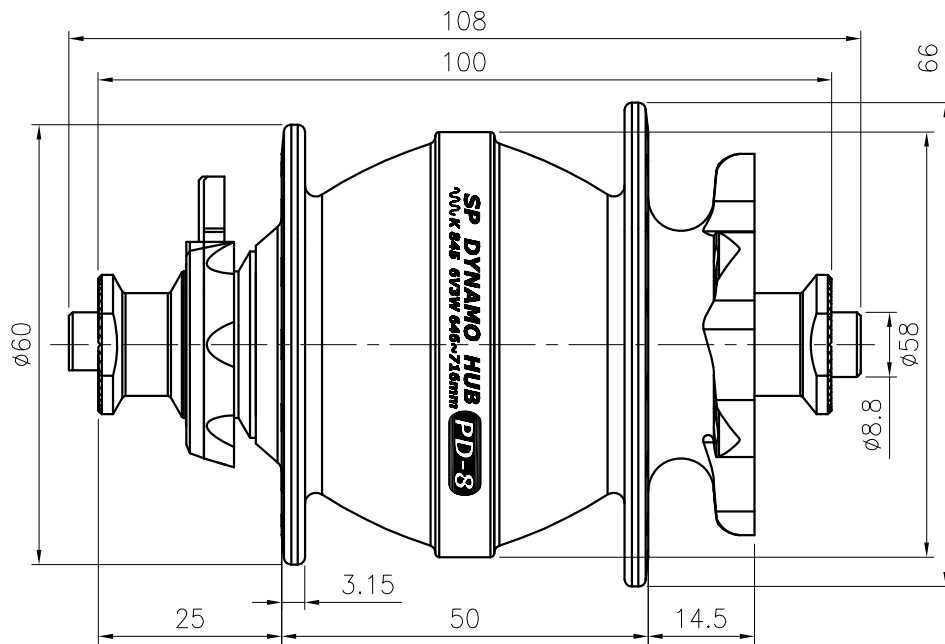
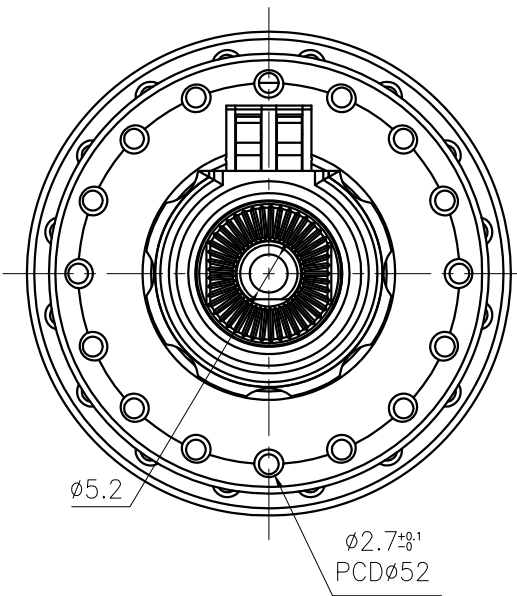


Product Specification

PD-8-QR



Item	Specification
Axle Fixing Bolt	QR
Spoke Hole	28/32/36
Seal	Bearing*2
Output Voltage	6V/3W(700C)
	6V/3W(26")
Weight	410g



Version Date: 2011.8.18

UNIT:mm	SCALE	TOLERANCE
	1:1	±0.5
MAKE	CHECK	CONFORM

Hub dynamo	
SP Model	HB026
MODEL	
PD-8-QR-01	

	2011.8.18		雷刻LOGO變更
	Version Date	ECR No.	Description